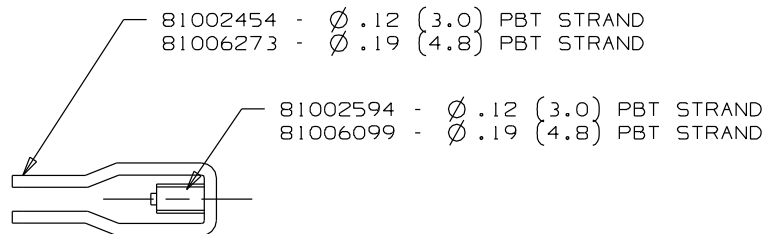
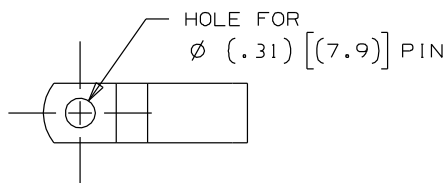
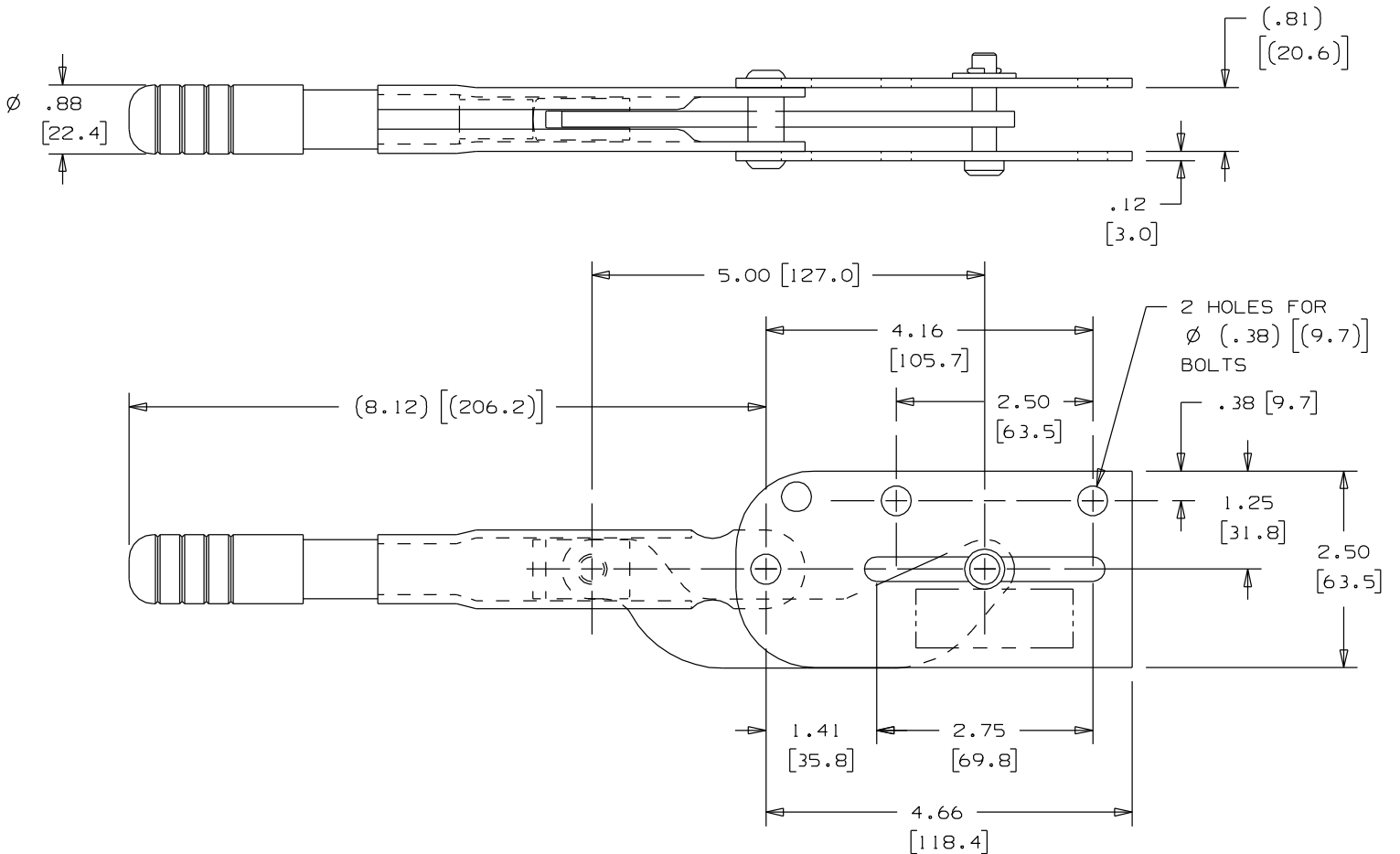


ORSCHELN LEVER NO. 02324500

RECOMMENDED APPLICATIONS AND FEATURES:

SIDE MOUNT WITH MOUNTING HOLES FOR FRAME OR OTHER AREAS WHERE MOUNTING SURFACE STRUCTURE WILL SUPPORT BRAKE LOAD. USUALLY USED WITH ROD DIRECT TO BRAKE. SPACERS SUPPLIED



THESE ARE RECOMMENDED CABLE PARTS FOR CONNECTING A CABLE TO THIS LEVER ASSEMBLY