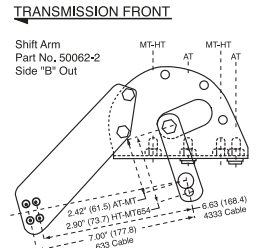
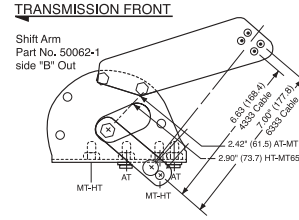
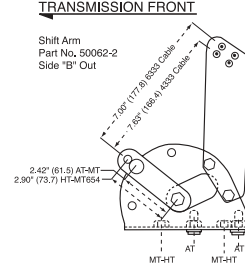
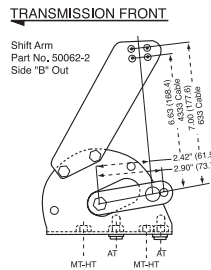
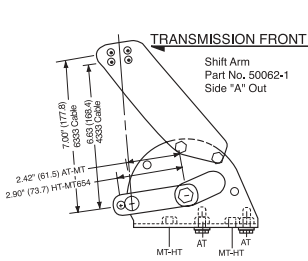


Transmission Connection Kits

Transmission kits come complete with shift arm, transmission mounting bracket, cable hanger and required hardware. Connection kits are designed to fit any of the five most popular entry positions to the transmission shift arm. Refer to the following drawings to find the cable entry that best fits your vehicle requirements and shifter control positions (push to reverse, pull to reverse), then assemble the kit to match the installation required. Shown below are configurations that can be made from the Universal Kit. (Universal Kit #59005 includes all parts to assemble any 59004 and 59006 kit configuration.)



CONFIGURATION #1
Cable **PUSHES** Transmission Arm into REVERSE.
Use with Shifter Control Positions numbers 2, 4, 5, 7.
Cable 100-4333-L / 100-6333-L

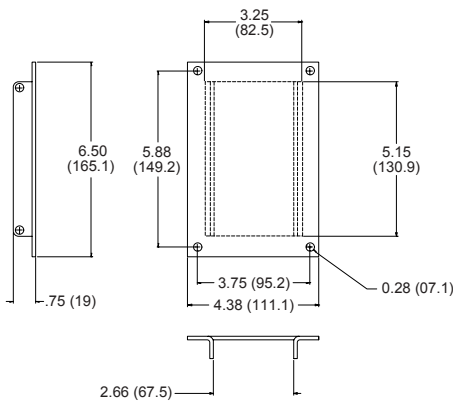
CONFIGURATION #2
Cable **PULLS** Transmission Arm into REVERSE.
Use with Shifter Control Positions numbers 1, 3, 6, 8.
Cable 100-4333-L / 100-6333-L

CONFIGURATION #3
Cable **PUSHES** Transmission Arm into REVERSE.
Use with Shifter Control Positions numbers 2, 4, 5, 7.
Cable 100-4333-L / 100-6333-L

CONFIGURATION #4
Cable **PULLS** Transmission Arm into REVERSE.
Use with Shifter Control Positions numbers 1, 3, 6, 8.
Cable 100-4333-L / 100-6333-L

CONFIGURATION #5
Cable **PUSHES** Transmission Arm into REVERSE.
Use with Shifter Control Positions numbers 2, 4, 5, 7.
Cable 100-4333-L / 100-6333-L

Accessories



TRANSMISSION CONNECTION KITS

UNASSEMBLED UNIVERSAL KIT OIL PAN MOUNT

- 59004 4 Series
- 59006 6 Series
- 59005 4 and 6 Series Hardware

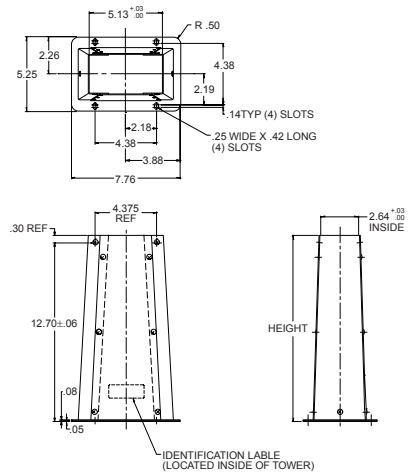
Kits to be assembled in field to fit installation required.

MACHINE PAD MOUNT

- 59369-1 4 Series
- 59369-2 6 Series

Mount to machine pad above the transmission shift arm. They do not mount to oil pan bolts as shown in diagrams above.

* HT Series, MT 654 with 4.5" oil pan.
For refuse and HD applications.



MOUNTING FLANGE

59002

Made of prefabricated steel with a matte black epoxy finish. Simplifies a top mount installation and is perfect for vehicle conversions. Kit is complete with control mounting hardware. Use with cable hanger bracket in any position.

SWITCH AND PIN SET KIT

50036-1

SWITCH SET

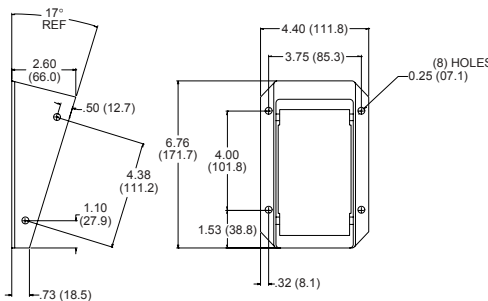
50036-2

PIN SET

50036-3

FINGER RELEASE/T-HANDLE KIT

000-59543-0000



MOUNTING WEDGE

N205

An injection-molded wedge with a textured black finish. Raises the shifter to a 17° angle from desired mounting surface. Kit is complete with control mounting hardware. Use with cable hanger bracket in any position except #1 or #2.

MOUNTING TOWER

59000 (13")

59035 (9")

A prefabricated tower with a matte black epoxy finish. Features access panels on both sides for easy installation and adjustment. A rubber floor gasket is included with tower. Kit is complete with control mounting hardware. For use with cable hanger positions #3, 4, 7, and 8 ONLY!

PUSH-PULL SHIFT CABLES

(Used with Controls and Kits)

4 Series: 1/4 - 28 thread, base part number: 100-4333 length (recommended)

6 Series: 5/16 - 24 thread, base part number: 100-6333 length